

**Fasteners - Painted Black**

Use these fasteners for a polished, efficient installation, and to achieve optimal durability. Nakamoto Forestry does not require the purchase of accessories as part of a lumber package. However, accessories used must meet our installation parameters and local code. Always follow manufacturer installation requirements.

Exteriors must be properly sealed and flashed in a shingle fashion to prevent moisture intrusion and buildup. Always have a design professional review project installation parameters relative to your local building code and regional best practices for managing moisture and water vapor in your area.

**Coil Nails**

Standard coil siding nails painted black

**SKU# CNB20**

- 6 penny (6d)
- 2" length
- 1800 pcs/box
- Each box covers +/- 450 SF of 6" shiplap

**SKU# CNB25**

- 8 penny (8d)
- 2.5", 2 1/2" length
- 1800 pcs/box
- Each box covers +/- 450 SF of 6" shiplap

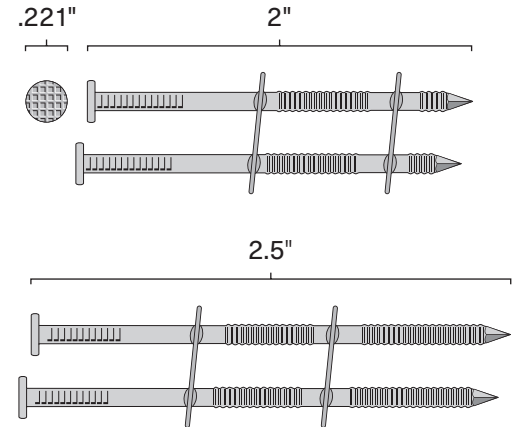
**SPECIFICATIONS**

- Full round checkered head
- Type 316 stainless steel shank & coil wire to prevent ferrous streaking
- Shank diameter 0.092"
- Head diameter 0.221"
- Annular-ring shank
- 15° pitch
- Diamond point

**COMPATIBLE COIL NAILERS**

- Metabo® (Hitachi®) NV65AH, NV75AG
- Max® CN55, CN665, CN565, CN565S, CN550S
- Senco® SCN60XP, SCN49, SCN65XP
- Bostitch® N64C, N66C, N75C
- Makita® AN611, AN635H
- Grip-Rite® GRTCS250
- Duo-Fast® P275C • Pallet Pro® 57F

Diagrams below are to size



**Hand-Drive Nails**

Standard 2" ring-shank hand-drive siding nails painted black

**SKU# HNB20-05**

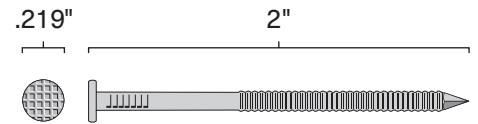
- 5# box , +/- 975 pcs
- Each box covers +/- 220 SF of 6" shiplap

**SKU# HNB20-25**

- 25# box , +/- 4,875 pcs
- Each box covers +/- 1,100 SF of 6" shiplap

**SPECIFICATIONS**

- 6 penny (6d)
- 2" length
- Full round checkered head
- Type 316 stainless steel
- Head diameter 0.219", 1/4"
- Shank diameter 0.099"
- Annular-ring shank
- Diamond point
- 13 gauge



**Hammer Caps**

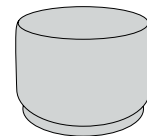
To prevent paint scuffing on siding nails

**SKU# HMC125**

- 2 pcs/pack
- 1 pc covers +/- 200 SF

**SPECIFICATIONS**

- Impact-resistant plastic
- Fits both 16oz and 20oz hammers



**Wakugi Nails**

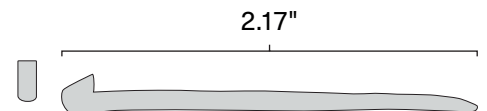
Japanese traditional hand-forged nails

**SKU# HNW217**

- 100 pcs
- Each box covers +/- 25 SF

**SPECIFICATIONS**

- 2.17" length
- Iron
- Square shank
- Needle point
- Pre-drilling recommended



**Fasteners - Painted Black – Continued**

**Trim Head Siding Screws**

Standard star drive trim head sidingscrews painted black

**SKU# SB162**

- 1.625", 1 5/8" length
- 4,000 pcs/box
- Each box covers +/- 1,000 SF of 6" shiplap

**SKU# SB225**

- 2.25", 2 1/4" length
- 3,000 pcs/box
- Each box covers +/- 750 SF of 6" shiplap

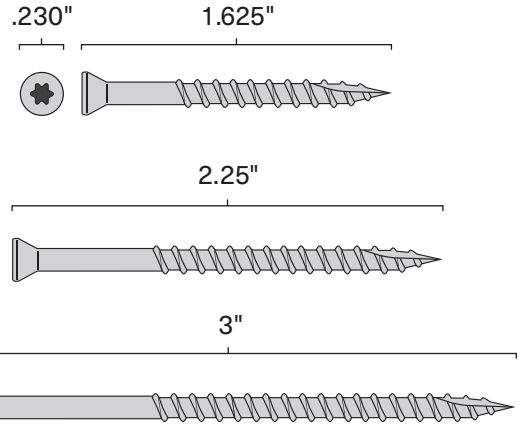
**SKU# SB300**

- 3" length
- 2,000 pcs/box
- Each box covers +/- 500 SF of 6" shiplap

**SPECIFICATIONS**

- #7 screw
- T15 star drive
- Trim-style head is less noticeable
- Type 316 stainless steel
- Head diameter 0.230", 1/4"
- Coarse threads up approximately 2/3 of shank
- Type 17 point self-tapping

Diagrams below are to size



**Supplier**

**Nakamoto Forestry North America**

**Warehouse & Office** (By Appt Only)

7320 NE 55th Ave.  
 Portland Oregon 97218  
 Tel. (503) 512-6780

